

Supplementary Material of M^2 Lens: Visualizing and Explaining Multimodal Models for Sentiment Analysis

Xingbo Wang*
HKUST

Jianben He†
HKUST

Zihua Jin‡
HKUST

Muqiao Yang§
CMU

Yong Wang¶
SMU

Huamin Qu||
HKUST

A MULTIMODAL FEATURE SETS

We describe the multimodal features from language, acoustic, and visual modalities. Furthermore, I introduce their mappings to the multimodal feature sets.

A.1 Language Feature Sets

We use the pos features for summarizing the structural information of language use.

- *POS tags*: [ADJ, ADP, ADV, AUX, CONJ, CCONJ, DET, INTJ, DET, INTJ, NOUN, NUM, PART, PRON, PROP, PUNCT, SCONJ, SYM, VERB, X]

A.2 Acoustic Feature Sets

We group acoustic features into four groups, including voice pitch, glottal, amplitude, and phase.

- *Voice pitch*: [F0]
- *Glottal*: [VUV, NAQ, QOQ, H1H2, PSP, MDQ, peakSlope, Rd, Rd_conf, creak]
- *Amplitude*: [MCEP_0, MCEP_1, MCEP_2, MCEP_3, MCEP_4, MCEP_5, MCEP_6, MCEP_7, MCEP_8, MCEP_9, MCEP_10, MCEP_11, MCEP_12, MCEP_13, MCEP_14, MCEP_15, MCEP_16, MCEP_17, MCEP_18, MCEP_19, MCEP_20, MCEP_21, MCEP_22, MCEP_23, MCEP_24]
- *Phase*: [HMPDM_0, HMPDM_1, HMPDM_2, HMPDM_3, HMPDM_4, HMPDM_5, HMPDM_6, HMPDM_7, HMPDM_8, HMPDM_9, HMPDM_10, HMPDM_11, HMPDM_12, HMPDM_13, HMPDM_14, HMPDM_15, HMPDM_16, HMPDM_17, HMPDM_18, HMPDM_19, HMPDM_20, HMPDM_21, HMPDM_22, HMPDM_23, HMPDM_24, HMPDD_0, HMPDD_1, HMPDD_2, HMPDD_3, HMPDD_4, HMPDD_5, HMPDD_6, HMPDD_7, HMPDD_8, HMPDD_9, HMPDD_10, HMPDD_11, HMPDD_12]

A.3 Visual Feature Sets

The facial expression for visual feature sets include head movement, face emotion, and movement of face parts.

- *Face emotion*: [Anger, Contempt, Disgust, Joy, Fear, Baseline, Sadness, Surprise, Confusion, Frustration]
- *Brow*: [AU1, AU2, AU4]
- *Eye*: [AU5, AU6, AU7, AU43]
- *Nose*: [AU9]
- *Lip*: [AU10, AU12, AU14, AU15, AU18, AU20, AU23, AU24, AU25, AU28]
- *Chin*: [AU17, AU26]
- *Head movement*: [Pitch, Yaw, Roll]

*e-mail: xingbo.wang@connect.ust.hk

†e-mail: jhebt@ust.hk

‡e-mail: zjinak@ust.hk

§e-mail: muqiaoy@andrew.cmu.edu

¶e-mail: yongwang@smu.edu.sg

||e-mail: huamin@ust.hk

- *Others*: [Has_Glasses, Is_Male]

Below are the descriptions for corresponding facial action units:

- *AU1*: Inner Brow Raiser
- *AU2*: Outer Brow Raiser
- *AU4*: Brow Lowerer
- *AU5*: Upper Lid Raiser
- *AU6*: Cheek Raiser
- *AU7*: Lid Tightener
- *AU9*: Nose Wrinkler
- *AU10*: Upper Lip Raiser
- *AU12*: Lip Corner Puller
- *AU14*: Dimpler
- *AU15*: Lip Corner Depressor
- *AU16*: Lower Lip Depressor
- *AU17*: Chin Raiser
- *AU18*: Lip Puckerer
- *AU20*: Lip Stretcher
- *AU23*: Lip Tightener
- *AU24*: Lip Pressor
- *AU25*: Lips part
- *AU26*: Jaw Drop
- *AU28*: Lip Suck
- *AU43*: Eyes Closed
- *Anger*: Brow Lowerer, Upper Lid Raiser, Lid Tightener, Lip Tightener
- *Contempt*: Lip Corner Puller, Dimpler
- *Disgust*: Nose Wrinkler, Lip Corner Depressor, Lower Lip Depressor
- *Joy*: Cheek Raiser, Lip Corner Puller
- *Fear*: Inner Brow Raiser, Outer Brow Raiser, Brow Lowerer, Upper Lid Raiser, Lid Tightener, Lip Stretcher, Jaw Drop
- *Sadness*: Inner Brow Raiser, Brow Lowerer, Lip Corner Depressor
- *Surprise*: Inner Brow Raiser, Outer Brow Raiser, Upper Lid Raiser, Jaw Drop
- *Baseline, Confusion, and Frustration*: No Description Info

B MULTIMODAL MODELS

We demonstrate the model architectures for Multimodal Transformer (MulT) in Fig. 1 and early fusion LSTM (EF-LSTM) in Fig. 2.

In MulT, there are multiple crossmodal transformers which learn to transform the low-level features to one modality to the target modality. After that, it learns to model the concatenated results from cross model transformer using self-attention and output the prediction.

In EF-LSTM, features from three modalities are simply concatenated (or fused) before input to the LSTM cell, and the LSTM cell produces one prediction at each time step.

For both figures, we use X_L, X_V, X_A to represent the input features and y as the predictions, where L, V, A indicate the language, visual and acoustic modalities respectively. For MulT, T and d are used to represent the sequence length and feature dimension of the corresponding modality. Z indicates the concatenated output of two crossmodal transformers with the same target modality.

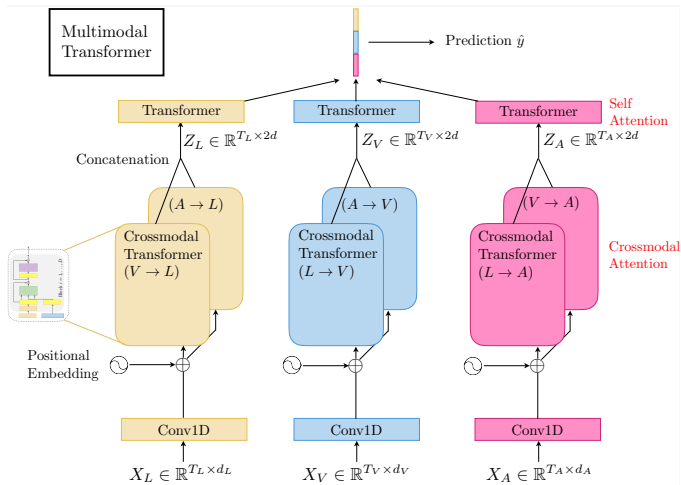


Figure 1: Model Architecture for Multimodal Transformer (MuT).

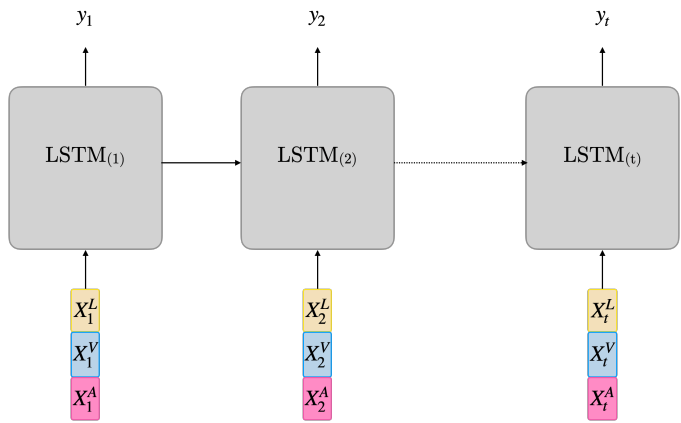


Figure 2: Model Architecture for Early fusion LSTM (EF-LSTM).